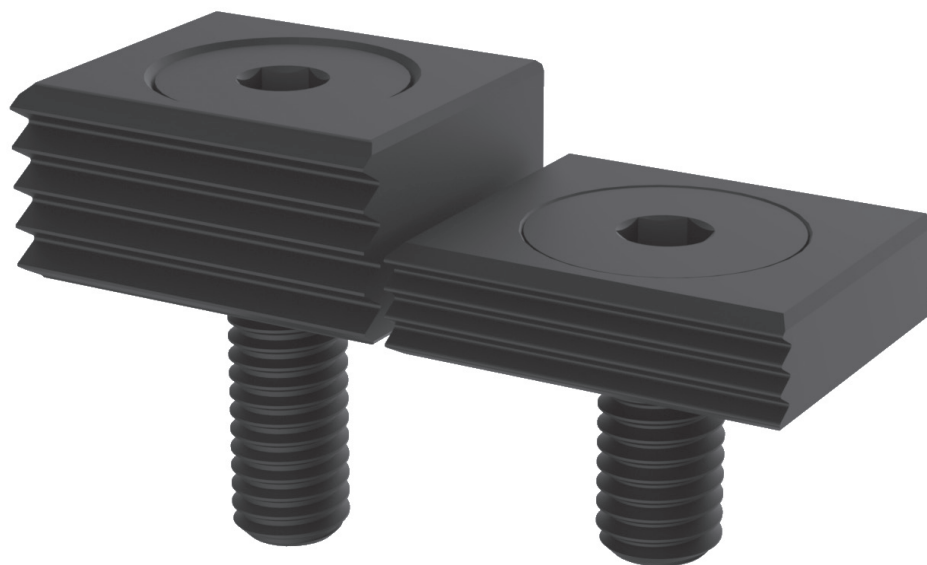


The LOWEST clamping device



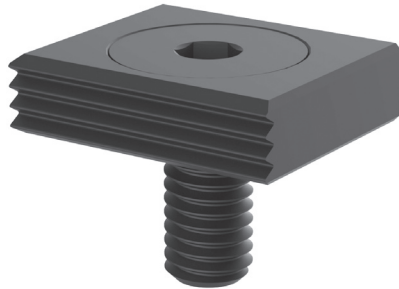
just got lower.

Tiny Vise® Low-Profile

NEW Low-profile Tiny Vise® clamps from Carr Lane Manufacturing securely grip the side of a workpiece to keep the top clear for machining. Available in a wide range of sizes, from a miniature #8-32 thread size, up to a powerful 1"-8 thread size with 2500 lbs clamping force. Patented design. Made in USA.

CarrLane
MANUFACTURING CO.

www.carrlane.com



Low Profile
(Reversible — Serrated or Smooth Jaw)

New Low-Profile Version!

Low-profile Tiny Vise® clamps are ideal for thin workpieces, and whenever downthrust action is not required. These mini edge clamps securely grip the side of a workpiece to keep the top clear for machining. Patented design features a slotted countersink to provide strong, reliable clamping force with the easy turn of a hex wrench. These compact clamps are ideal for fixturing multiple parts, small or large. Each clamp has both a serrated face (for maximum gripping) and a smooth face (to avoid marring finished parts). These clamps look so simple, but work amazingly well, with major advantages over earlier designs. Patent number 5,624,106. Made in USA.

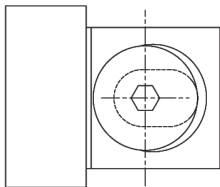
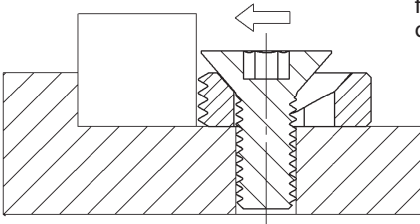
Clamping force is applied by positive screw action with the easy turn of a hex wrench (not with an unreliable, unsafe eccentric cam as used in other designs). A high-strength Flat-Head Socket Screw engages a mating slotted countersink to exert strong clamping force. Much more durable than other designs.



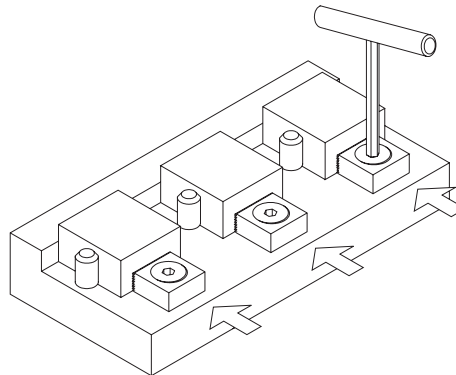
Compare the amazing low-profile Tiny Vise® clamp (right) with our standard Tiny Vise® clamp (left).

Available in a wide range of sizes, from a miniature #8-32 thread size, up to a powerful 1"-8 thread size with 2500 lbs clamping force. Tiny Vise® clamps are designed to provide strong clamping force when tightened by hand. Do not exceed the recommended tightening torque.

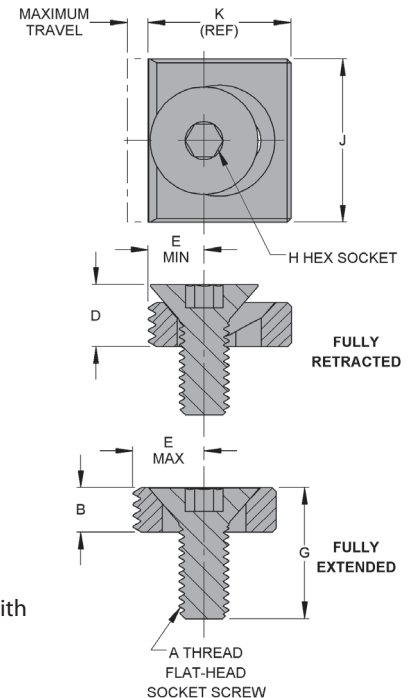
These low-profile clamps are ideal for thin workpieces, and whenever downthrust action is not required.



Patented design features a slotted countersink.



Clamping force is applied by positive screw action with the easy turn of a hex wrench.



LOW PROFILE (INCH)

PART NO.	A	B	D	E			G	H	J	K	MAX TRAVEL	RECOMMENDED TORQUE (FT-LBS)*	APPROX. HORIZONTAL CLAMPING FORCE AT RECOMMENDED TORQUE (LBS)*
				MIN	MID RANGE	MAX							
CL-2-TVLP	#8-32	.150	.213	.175	.205	.235	1/2	3/32	9/16	.470	.060	.40	60
CL-3-TVLP	#10-32	.200	.269	.208	.242	.274	5/8	1/8	5/8	.550	.066	.50	75
CL-4-TVLP	1/4-20	.225	.310	.280	.320	.360	3/4	5/32	7/8	.720	.080	1.0	130
CL-5-TVLP	5/16-18	.250	.352	.338	.386	.434	7/8	3/16	1	.870	.096	2.4	240
CL-6-TVLP	3/8-16	.300	.419	.390	.445	.500	1	7/32	1-1/8	1.000	.110	4.6	370
CL-8-TVLP	1/2-13	.325	.456	.474	.534	.594	1-1/4	5/16	1-1/4	1.187	.120	13	800
CL-10-TVLP	5/8-11	.425	.563	.620	.685	.750	1-1/2	3/8	1-5/8	1.500	.130	24	1,200
CL-12-TVLP	3/4-10	.500	.675	.740	.820	.900	1-3/4	1/2	2	1.800	.160	46	1,800
CL-16-TVLP	1"-8	.750	.968	.988	1.088	1.188	2	5/8	2-1/2	2.375	.200	84	2,500

*Recommended torque and clamping force are at 1/3 of yield strength, leaving 2/3 of holding capacity to resist external cutting forces, etc.